

Align-Pilates



Catalogue 2025



Who We Are



Align-Pilates was founded in 2010 with the objective of making commercial quality Pilates equipment more accessible to both studios and home practitioners.

Setting up your own successful Pilates Studio has always been an exciting prospect – Align-Pilates' mission is to make this a more viable and profitable prospect whilst offering innovative, high performance, reliable equipment that you and your clients will love.

Our Experience

Align-Pilates have been producing our own apparatus for fifteen years, but can draw on over two decades of expertise in Pilates equipment as UK matwork market leaders. With the extensive Pilates knowledge of its customers, Align-Pilates has developed into a brand with international recognition. We are now pleased to present our latest evolution of Pilates apparatus, which blend tried and tested reliability with rapid, customer-led design.

Our Service In The UK

Our service stands alone amongst the UK Pilates apparatus brands. We hold all of our products in stock, together with an extensive range of spares and accessories in our own warehouses. We offer a complete delivery and install service using our own staff and vehicles and we are open throughout the UK working week to handle your enquiries as and when they arise. These are simple things in themselves but take them away and it can play havoc with the smooth running of your Pilates business. Outside the UK, we appoint stocking distributors so that you can receive a similar service wherever you buy from.

Try Our Apparatus In The UK

With Pilates apparatus there is nothing like experiencing the equipment first-hand and finding out what it is really like. We actively encourage visits to our showroom at our UK headquarters, which is open in normal office hours – please just let us know when you want to come! We also regularly attend exhibitions and shows.

Try Our Apparatus Outside The UK

Align-Pilates has a growing following around the world with Distributors in Australia, Bosnia, Canada, Costa Rica, China, Croatia, Cyprus, Denmark, Finland, France, Germany, Greece, Hong Kong, Hungary, Indonesia, Ireland, Israel, Italy, Japan, Malaysia, The Netherlands, New Zealand, Poland, Romania, Saudi Arabia, Serbia, Slovakia, Slovenia, South Africa, South Korea, Spain, Sweden, Taiwan, Thailand, The UAE, and The USA with more being added all the time. Many of our Distributors have permanent showrooms where you can try the equipment. Please see the link on the back cover of the catalogue to find a Distributor or International trade show near you.

Contents



Reformers 4

Reformers At A Glance	4
Reformer Comparison	6
A8-Pro	8
C8-Pro	12
C8-Pro Noir	12
C8-S Pro	16
M8-Pro	20
R8-Pro	24
R8-Pro White	24
F3 Folding	28

Cadillacs & Towers 32

Half Cadillac	32
Full Cadillac	34
Fuse Ladder II	36

Ladder Barrel & Chair 38

Ladder Barrel RC	38
Combo Chair III	40

Accessories 42

Reformer Accessories	42
Matwork Accessories	50

Apparel & Grip Socks 52



The New C8-Pro Noir – page 12

Reformers At A Glance



Discover the comprehensive range of Pilates Reformers, catering to various preferences for both commercial and home use. Our Reformers are always evolving based on our philosophy of listening to customer feedback, and we take pride in our world-beating design features such as our patented Rapid Change Spring Bar. The end result is an innovative range of Reformers leading the way for Pilates studios worldwide, with a suitable Reformer for every Pilates studio, instructor, or practitioner.



A8-Pro Pilates Reformer

Silver

[Page 8 >](#)

Our flagship Reformer. With an oversized carriage, the longest carriage travel of any standard Pilates Reformer on the market, and three possible leg heights, this Reformer is perfect for larger/taller clients.

Widest Carriage/Longest Travel

RC Spring Bar

Takes Half Cadillac

Commercial Warranty



C8-Pro Pilates Reformer

Silver | Noir

[Page 12 >](#)

The C8-Pro is the ultimate C-Series Reformer, featuring an oversize aluminium profile and Footbar and an 8 PU wheel carriage system for the quietest and lowest maintenance ride available.

Stackable & Standable

RC Spring Bar

Takes Half & Full Cadillacs

Commercial Warranty



C8-S Pro Pilates Reformer

White

[Page 16 >](#)

The C8-Pro is the ultimate C-Series Reformer, featuring an oversize aluminium profile and Footbar and an 8 PU wheel carriage system for the quietest and lowest maintenance ride available.

Stackable & Standable

RC Spring Bar

Takes Half Cadillac

Commercial Warranty

All of our Reformers feature 8 Carriage Wheels, our Silent Rope & Pulley System, Adjustable Rope Risers, a Multi-Position Footbar, Nickel-Plated Korean Music Wire Springs, and Off-Centre Shoulder Rests.



M8-Pro Pilates Reformer

Maple Wood

[Page 20 >](#)

The Align-Pilates M8-Pro Pilates Reformer is crafted from extremely durable North American maple and designed to marry classical styling with contemporary functionality.

North American Maple Frame

RC Spring Bar

Takes Half Cadillac

Commercial Warranty



R8-Pro Pilates Reformer

Black | White

[Page 24 >](#)

The R8-Pro is our first 'light commercial' Reformer, meaning it's ideal for home studios or studios with light usage. Its classic Reformer geometry with contemporary features make this a great all round Reformer.

Standable with Jump Board

RC Spring Bar

Space for 5th Spring

Light Commercial Warranty



F3 Folding Pilates Reformer

Silver

[Page 28 >](#)

The F3 Folding Reformer builds upon its hugely popular and influential predecessors to offer an innovative carriage that never crosses the fold line, for the smoothest ride, whilst still being easy to store at home.

Foldable

Wheel Open Or Closed

Lightest Reformer

Home Warranty

Reformer Comparison



	A8-Pro	C8-S Pro	C8-Pro
Usage/Warranty	Studio	Studio	Studio
Dimensions	263cm × 75cm (103.54" × 29.52")	243cm × 67cm (95.66" × 26.37")	244cm × 66cm (96.06" × 25.98")
Weight	75kg (165.35lbs)	70.4kg (155.21lbs)	70.4kg (155.21lbs)
Leg & Height Options	3 leg options: 28cm, 42cm, 64cm high (11.02", 16.54", 25.20")	2 leg options: 26cm, 42cm high (10.24", 16.54")	2 leg options: 26cm, 42cm high (10.24", 16.54")
Carriage Size	67cm × 91cm (26.38" × 35.83")	58cm × 91.5cm (22.83" × 36.02")	58cm × 91.5cm (22.83" × 36.02")
Travel Length	113cm (44.49")	105cm (41.34")	106.5cm (41.93")
Rope Adjustment System	Pro Rope Adjusters for precise adjustments	Pro Rope Adjusters for precise adjustments	Pro Rope Adjusters for precise adjustments
Footbar	6 lockable positions, oversize	4 lockable positions, oversize	4 lockable positions, oversize
Spring Bar & Adjustment	Rapid change spring bar	Rapid change spring bar	Rapid change spring bar
Springs	5 springs (1 × Strong, 2 × Medium, 2 × Light)	5 springs (1 × Strong, 2 × Medium, 2 × Light)	5 springs (1 × Strong, 2 × Medium, 2 × Light)
Shoulder Rests	Yes	Yes	Yes
Adjustable Feet	Yes	Yes	Yes
Runners/Wheels	Precision aluminium/8 PU wheels	Precision aluminium/8 PU wheels	Precision aluminium/8 PU wheels
Max. User Weight	150kg (330.69lbs)	150kg (330.69lbs)	150kg (330.69lbs)
Rope Risers	Stainless, outside frame. 5 Heights.	Stainless, inside frame. 9 heights (with legs)	Painted, outside frame. 7 heights (with legs)
Foldable	No	No	No
Standable	No	Yes	Yes
Stackable	Yes	Yes	Yes

	M8-Pro	R8-Pro	F3 Folding
Usage/Warranty	Studio	Light Studio	Home
Dimensions	254cm x 76cm (100" x 29.92")	248cm x 67cm (97.64" x 26.38")	242cm x 66cm (95.28" x 25.98")
Weight	80kg (176.37lbs)	59.1kg (130.29lbs)	58kg (127.87lbs)
Leg & Height Options	None	2 leg options: 23cm, 36cm high (9.06", 14.17")	None
Carriage Size	66cm x 93cm (25.98" x 36.61")	56cm x 89cm (22.04" x 35.04")	58cm x 89cm (22.83" x 35.04")
Travel Length	104cm (40.94")	97.5cm (38.39")	97cm (38.19")
Rope Adjustment System	T bar system, both ropes adjust together	Pro Rope Adjuster within Shoulder Rest frame	Threaded rope
Footbar	4 lockable positions, standard size	5 lockable positions, standard size	4 positions, standard size
Spring Bar & Adjustment	Rapid change spring bar	Rapid change spring bar	Fixed
Springs	5 springs (1 x Strong, 2 x Medium, 2 x Light)	4 springs (2 x Strong, 1 x Medium, 1 x Light) with space for 5th	4 springs (2 x Strong, 1 x Medium, 1 x Light)
Shoulder Rests	Yes	Yes, but fixed	Yes, but fixed
Adjustable Feet	No	Yes	Yes
Runners/Wheels	Precision aluminium/8 PU wheels	Stainless steel runners/8 PU wheels	Precision aluminium/8 PU wheels
Max. User Weight	150kg (330.69lbs)	120Kg (264.56lbs)	120kg (264.56lbs)
Rope Risers	Maple, outside frame. Fully adjustable.	Painted, outside frame. 9 heights (with legs)	Painted, outside frame. 3 heights.
Foldable	No	No	Yes
Standable	No	Yes (but only with optional Jump Board)	Yes
Stackable	No	Yes	No

A8-Pro



The Align-Pilates A8-Pro Pilates Reformer is our flagship commercial Pilates Reformer.

The A8-Pro runs on 8 PU wheels, which creates an extremely smooth and quiet ride, improved handling of cross loading forces, and reduced maintenance.

The A8-Pro includes our Rapid Change Spring Bar, which allows swift spring bar and carriage-position adjustments. Additionally, we have introduced a new rope adjustment system that enables precise adjustments. With this conveniently located near the headrest, you can effortlessly fine-tune the rope lengths to achieve optimal positioning for you or your clients. We understand the importance of seamless and accurate adjustments, particularly in a Studio where time and precision are paramount.

Our A8-Pro offers refined performance, extensive adjustability, a luxurious oversize carriage, and the longest travel of any standard Pilates Reformer on the market. Simply, this Reformer has been designed for those seeking a spacious carriage bed for yourself or various clients in a studio setting.

Now in its fourth generation, the A8-Pro is the result of over eight years of development. The A8-Pro can be built with a choice of 3 interchangeable leg heights: Low — 28cm (11.02"), Standard — 42cm (16.54"), or High Legs — 64cm (25.20"), making the A8-Pro a truly future-proof and versatile investment. The A8-Pro has been designed for studio, rehab, and private use with the innovative design offering a host of easy adjustments to provide complete flexibility. The A8-Pro uses all the same accessories as the previous A2 models so that the A2 and A8-Pro can easily coexist in the same studio, sharing Jump Boards, Mattress Converters, and Platform Extenders.





A8-Pro

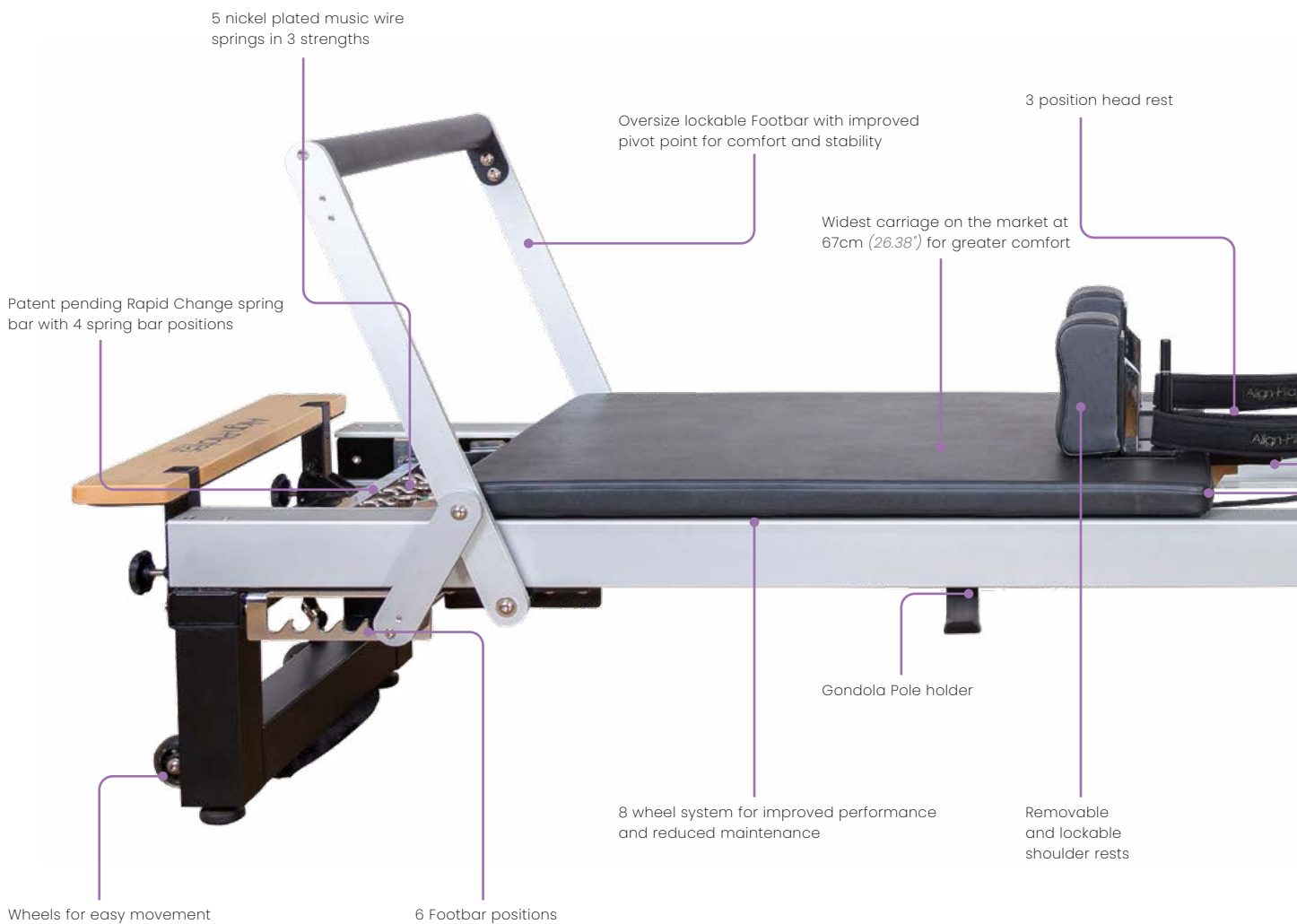


What's Included?

- Adjustable Silent Foot Strap
- Integral standing platform
- Pair of Silent Double Loop Straps
- 5 nickel plated quality music wire springs in 3 different strengths: 2 × light, 2 × medium, and 1 × strong

Optional Extras

- Pilates Poles
- Platform Extender
- 3 leg options: 28cm, 42cm, 64cm high
(11.02", 16.54", 25.20")
- Jump Board
- Cardio Jump Dome
- Sitting Boxes
- Planking Handles
- Mattress Converter
- Neck Pillow
- Half Cadillac



More Information

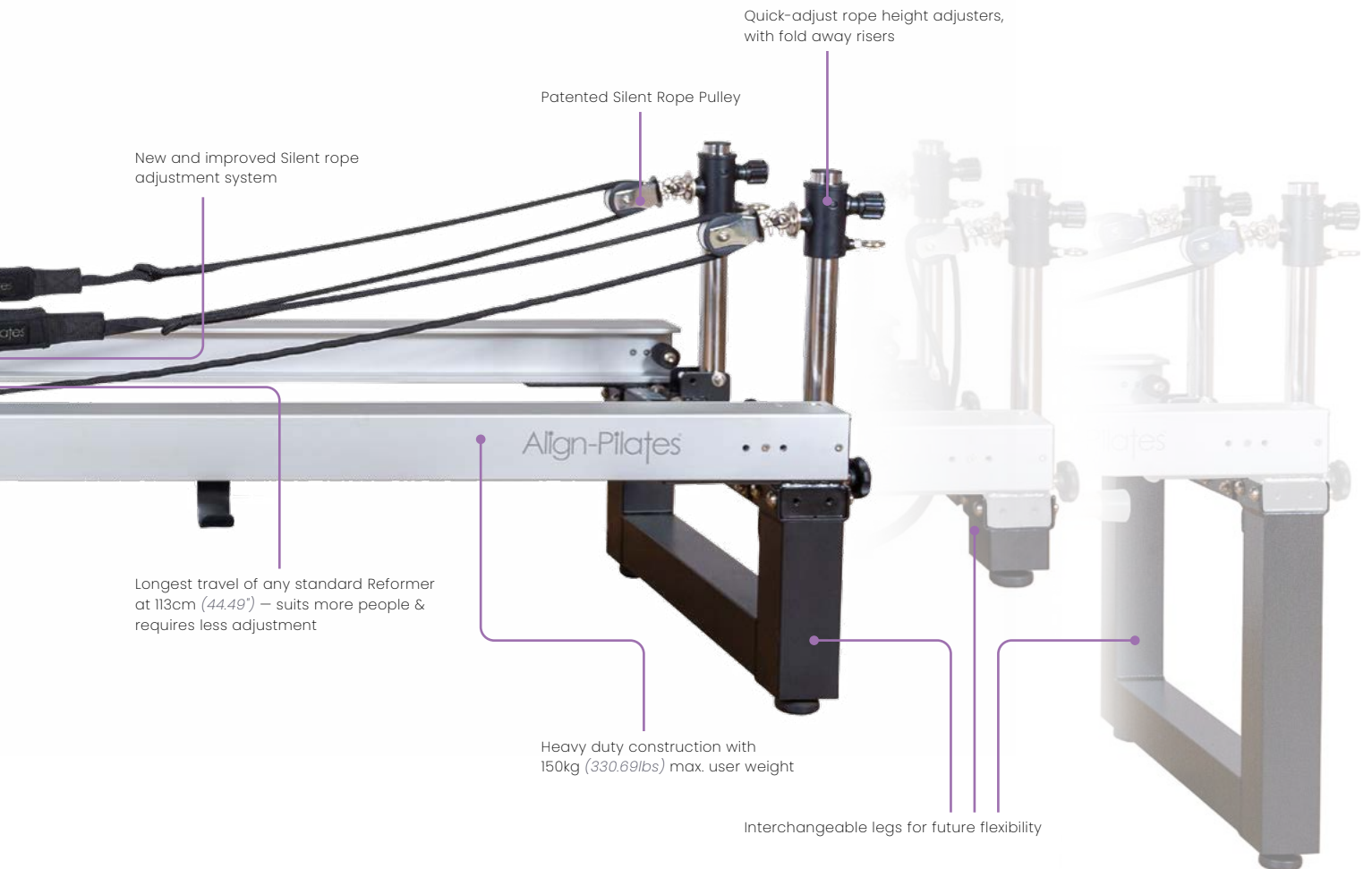
Feature breakdown, interactive comparison, manuals, videos, reviews, and more at align-pilates.com



A8-Pro

Product Options

Product	Dimensions	Code
A8-Pro With Low Legs	257cm (L) × 75cm (W) × 28cm (H) (101.18" (L) × 29.53" (W) × 11.02" (H))	PAPREFORMERA8L
A8-Pro With Standard Legs	257cm (L) × 75cm (W) × 42cm (H) (101.18" (L) × 29.53" (W) × 16.54" (H))	PAPREFORMERA8S
A8-Pro With High Legs	257cm (L) × 75cm (W) × 64cm (H) (101.18" (L) × 29.53" (W) × 25.20" (H))	PAPREFORMERA8R
A8-Pro With Half Cadillac	257cm (L) × 75cm (W) × ~189cm (H) (101.18" (L) × 29.53" (W) × ~74.41" (H))	PAPHALFCADSETA8S
A8-Pro Pilates Reformer With Standard Legs & Plank Handles	263cm (L) × 75cm (W) × 42cm (H) (103.54" (L) × 29.53" (W) × 16.54" (H))	PAPREFORMERA8SP



C8-Pro



The C8-Pro is the ultimate C-Series Reformer, featuring an oversize aluminium profile and Footbar and an 8 PU wheel carriage system for the quietest and lowest maintenance ride available.

Like all Align-Pilates commercial Reformers, the C8-Pro features our patent pending Rapid Change (RC) spring bar for the easiest and quickest adjustment on the market.

Many Pilates professionals choose their Reformer based on the ride characteristics and the biggest determinant of that is the number and type of wheels. The number and material of the wheels determine the resistance of the carriage, the sound the machine makes, the handling of cross loading and the amount of maintenance required. The C8-Pro uses 8 'roller blade style' wheels which are designed to give a quieter and softer ride with greater rolling resistance.

Among other premium Reformers, the C8-Pro has the advantage of versatility: It's size provides a comfortable range of motion to suit a variety of clients but is also easy to move, stack, or stand – and is our only Reformer which can accept both a Full and Half Cadillac. This makes it perfect for a multifunctional studio which needs to offer a variety of classes within a single space.

The C8-Pro's Rapid Change spring bar radically alters the ease and speed of adjusting your Reformer, which is particularly beneficial for those running group classes (where the C8-Pro really excels). The spring bar can simply be adjusted with the springs attached, with one hand, and in a single action, which saves up to 12 additional actions when compared with most standard spring bars.

C8-Pro Noir



The C8-Pro Noir is a new take on the C8-Pro with a sleek, black finish designed purposefully for boutique Studios, clubs, and fitness facilities that want to combine style and functionality.





C8-Pro



What's Included?

- Adjustable Silent Foot Strap
- Integral standing platform
- Pair of Silent Double Loop Straps
- 5 nickel plated quality music wire springs in 3 different strengths: 2 × light, 2 × medium, and 1 × strong

Optional Extras

- Pilates Poles
- Platform Extender
- Leg Extensions to raise bed to 44cm (17.32")
- Freestanding Legs
- Jump Board
- Sitting Boxes
- Planking Handles
- Mattress Converter
- Neck Pillow
- Half Cadillac
- Full Cadillac



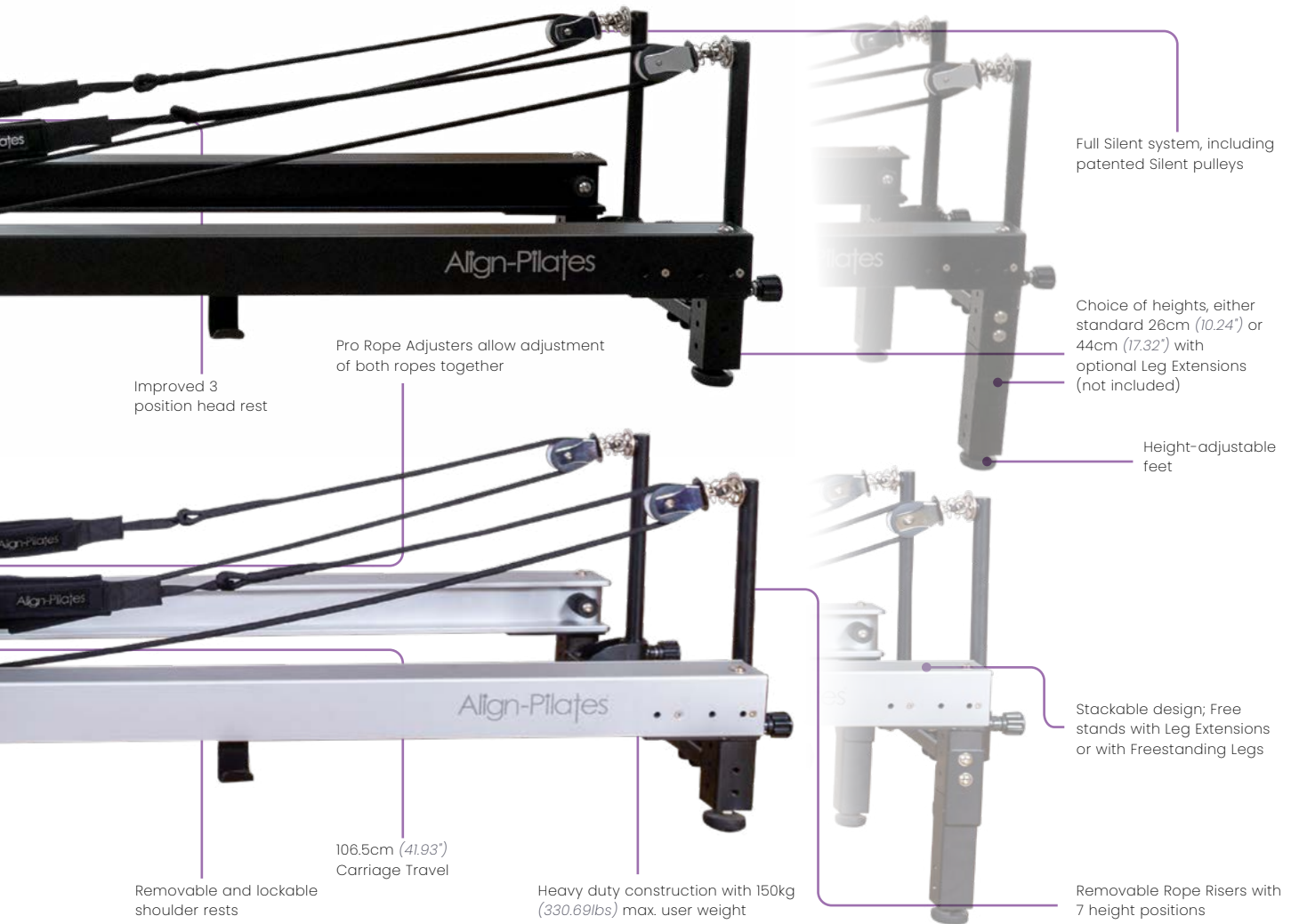
More Information

Feature breakdown, interactive comparison, manuals, videos, reviews, and more at align-pilates.com



Product Options

Product	Dimensions	Code
C8-Pro Pilates Reformer	244cm (L) × 66cm (W) × 26cm (H) (96.06" (L) × 25.98" (W) × 10.24" (H))	PAPREFORMERC8
C8-Pro Pilates Reformer – Noir/Black	244cm (L) × 66cm (W) × 26cm (H) (96.06" (L) × 25.98" (W) × 10.24" (H))	PAPREFORMERC8N
C8-Pro Pilates Reformer With Leg Extensions	244cm (L) × 66cm (W) × 44cm (H) (96.06" (L) × 25.98" (W) × 17.32" (H))	PAPREFORMERC8L
C8-Pro Pilates Reformer With Freestanding Legs	244cm (L) × 66cm (W) × 26cm (H) (96.06" (L) × 25.98" (W) × 10.24" (H)) Standing Height: 240cm (94.49")	PAPREFORMERC8F
C8-Pro Pilates Reformer With Half Cadillac	244cm (L) × 66cm (W) × -189cm (H) (96.06" (L) × 25.98" (W) × -74.41" (H))	PAPC8HALFCAD
C8-Pro Pilates Reformer With Full Cadillac	244cm (L) × 66cm (W) × -216cm (H) (96.06" (L) × 25.98" (W) × -85.04" (H))	PAPC8FULLCAD



C8-S Pro



The C8-S Pro is an evolution from our best-selling C8-Pro Reformer. Designed with a focus on aesthetics and neat-flowing lines, the C8-S Pro Reformer is perfect for more style oriented Studios.

The C8-S Pro takes the design of the C8-Pro and repackages it with a focus on clean flowing lines, achieved by bringing the standing platform and rope risers within the frame. The C8-S Pro is particularly aimed at the group Reformer studio and more style-oriented home studio.

The C8-S Pro is operationally almost exactly the same as the C8-Pro, using the same carriage, runner profile, running gear and adjustment systems so you can expect the same smooth and silent user experience here. For owners of existing C-Series Reformers the C8-S Pro also uses the same Jump Board, Mattress Converter, and Platform Extender. The C8-S Pro comes in a standard height of 26cm (10.24") which can be raised to 42cm (16.54") with its optional, almost seamless Leg Extensions.

The differences from the C8-Pro are: 1.5cm (0.59") less carriage travel – but still an excellent 105cm (41.34"), very similar but fractionally different Footbar positions, white frame and legs/leg extensions, and no Full Cadillac compatibility.





C8-S Pro

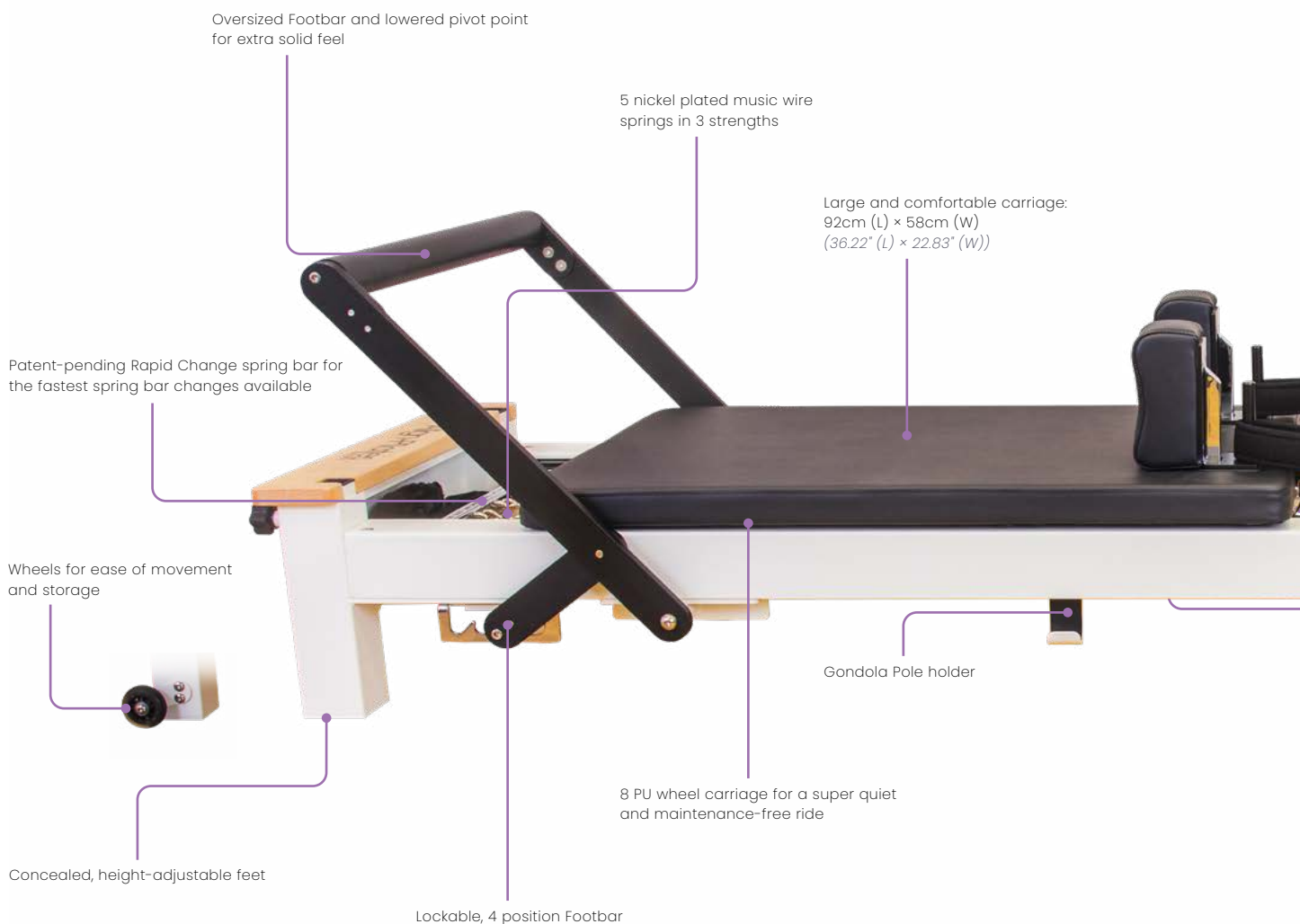


What's Included?

- Adjustable Silent Foot Strap
- Integral standing platform
- Pair of Silent Double Loop Straps
- 5 nickel plated quality music wire springs in 3 different strengths: 2 × light, 2 × medium, and 1 × strong

Optional Extras

- Pilates Poles
- Platform Extender
- Leg Extensions to raise bed to 42cm (16.54")
- Jump Board
- Sitting Boxes
- Planking Handles
- Mattress Converter
- Neck Pillow
- Half Cadillac



More Information

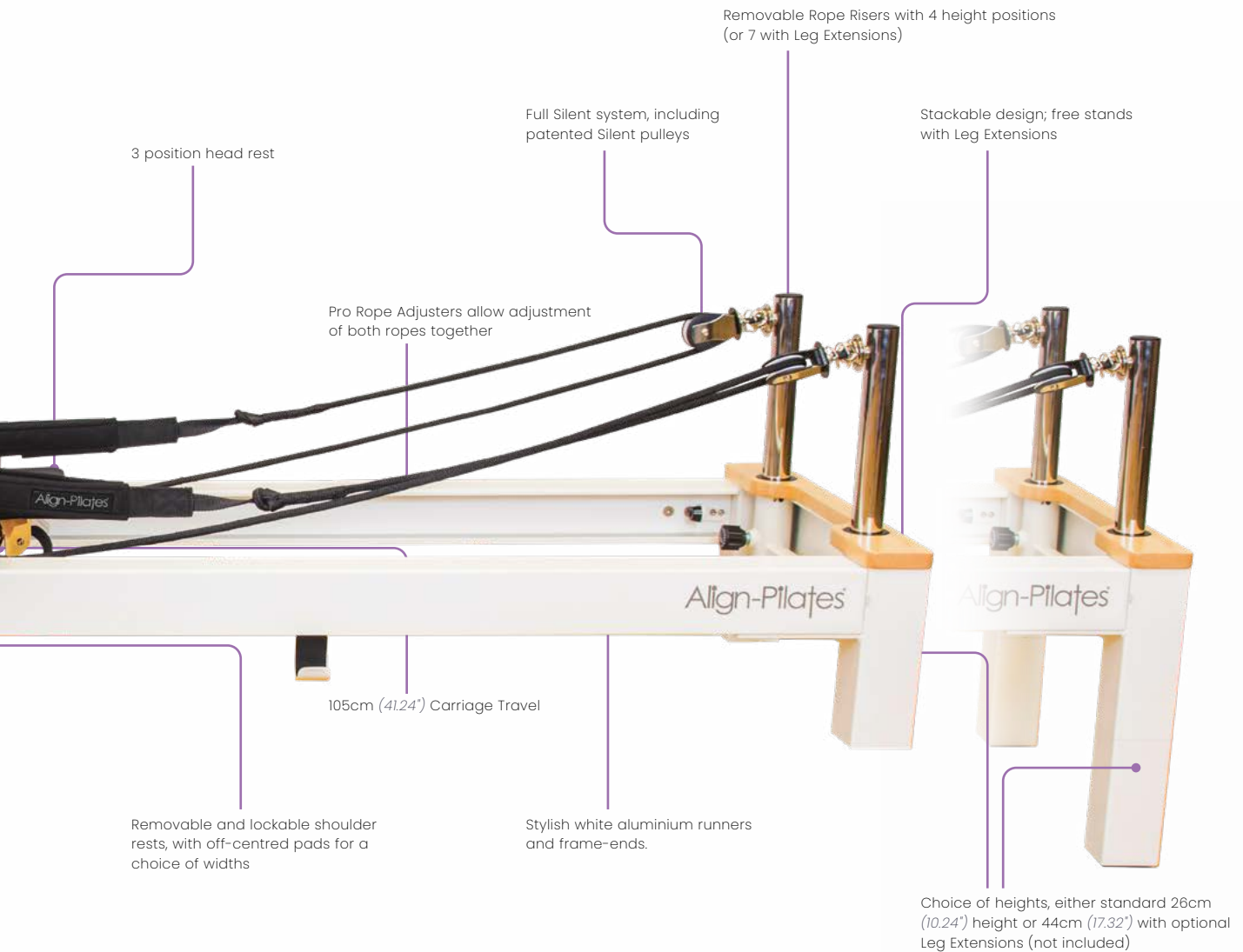
Feature breakdown, interactive comparison, manuals, videos, reviews, and more at align-pilates.com



C8-S Pro

Product Options

Product	Dimensions	Code
C8-S Pro Pilates Reformer	243cm (L) × 67cm (W) × 26cm (H) (95.67" (L) × 26.38" (W) × 10.24" (H))	PAPREFORMERC8S
C8-S Pro Pilates Reformer With Leg Extensions	243cm (L) × 67cm (W) × 42cm (H) (95.67" (L) × 26.38" (W) × 16.54" (H))	PAPREFORMERC8SL
C8-S Pro Reformer With Half Cadillac	243cm (L) × 67cm (W) × ~189cm (H) (95.67" (L) × 26.38" (W) × ~74.41" (H))	PAPC8SHALFCAD



M8-Pro



The **Align-Pilates M8-Pro Pilates Reformer** is crafted from North American maple and designed to marry classical styling with contemporary functionality.

The M8-Pro offers refined performance, extensive adjustability, a luxurious oversize carriage, and 104cm (40.94") of smooth and silent travel. As well as delivering outstanding performance with its 8 wheel carriage, its sleek design and attention to detail also make it an attractive addition to any home or studio. The oversized carriage on the M8-Pro easily accommodates a range of body sizes, meaning it not only looks fantastic in one's home, but can accommodate a breadth of clients too in a Studio setting. The innovative design offers a host of easy adjustments to provide complete flexibility in use.

The M8-Pro uses our patent-pending RC Spring Bar which can be adjusted — with the springs attached — with one hand, without needing to move a separate carriage stopper. This radically alters the ease and speed of adjusting your Reformer, which is particularly beneficial in a group class environment.

Unlike any other Reformer in our range, the M8-Pro Reformer comes complete with a Pro Sitting Box and Foot Strap. It also comes with a removable maple standing platform which is larger than our other commercial Reformers in our range. It also now features storage hooks for a gondola pole (available separately) and removable off-centred shoulder rests for a choice of shoulder width positions.

The M8-Pro is incredibly adaptable, with an upholstered Jump Board also available, which is interchangeable with the standing platform. The M8-Pro can also accept a Half Cadillac, converting it into a completely flat bed with a two-part Platform Extender/Mattress Converter.





M8-Pro

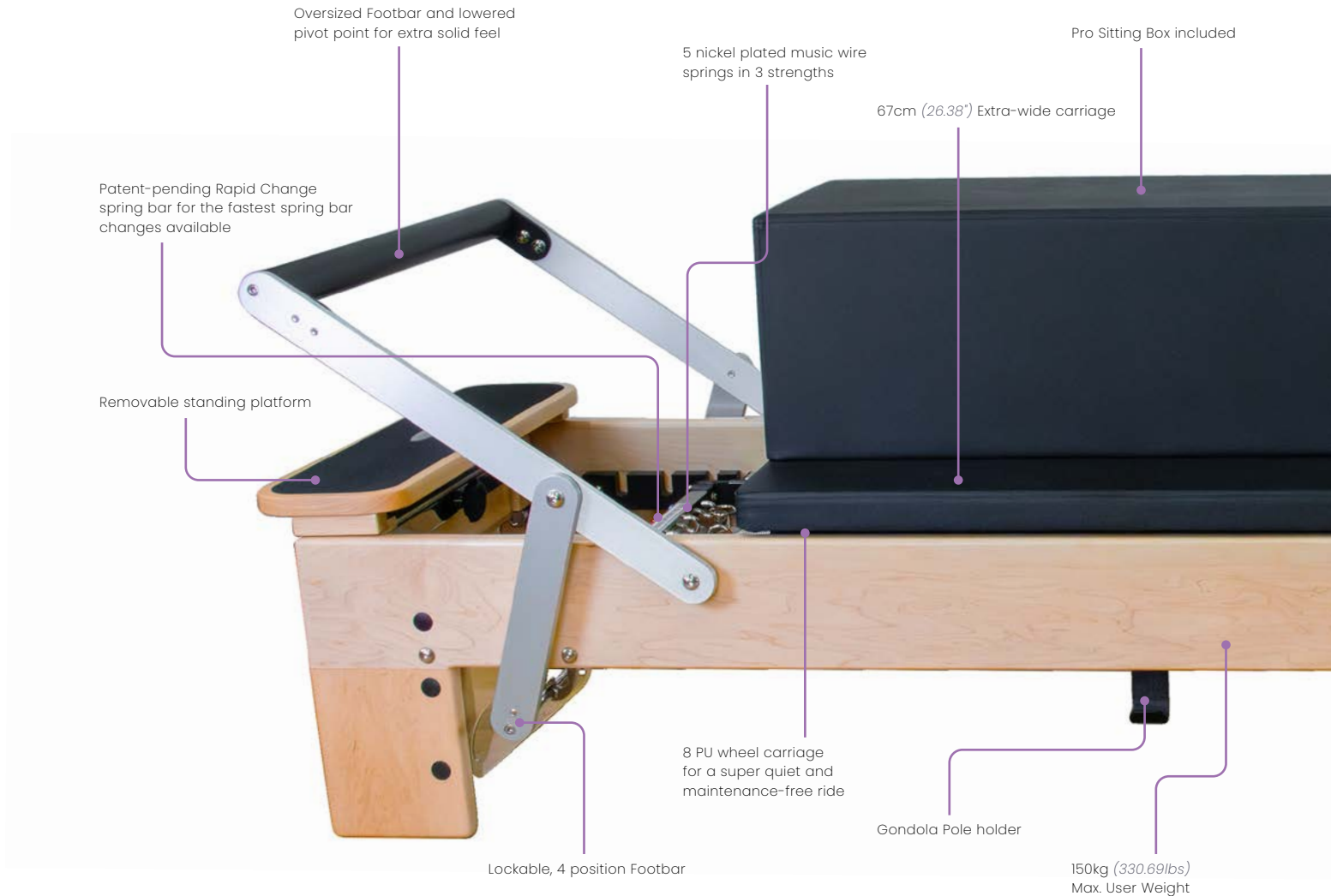


What's Included?

- Adjustable Silent Foot Strap
- Removable standing platform
- Pair of Silent Double Loop Straps
- 5 nickel plated quality music wire springs in 3 different strengths: 2 × light, 2 × medium, and 1 × strong
- Pro Sitting Box

Optional Extras

- Pilates Poles
- Platform Extender
- Jump Board
- Other Sitting Boxes
- Mattress Converter
- Neck Pillow
- Half Cadillac



More Information

Feature breakdown, interactive comparison, manuals, videos, reviews, and more at align-pilates.com



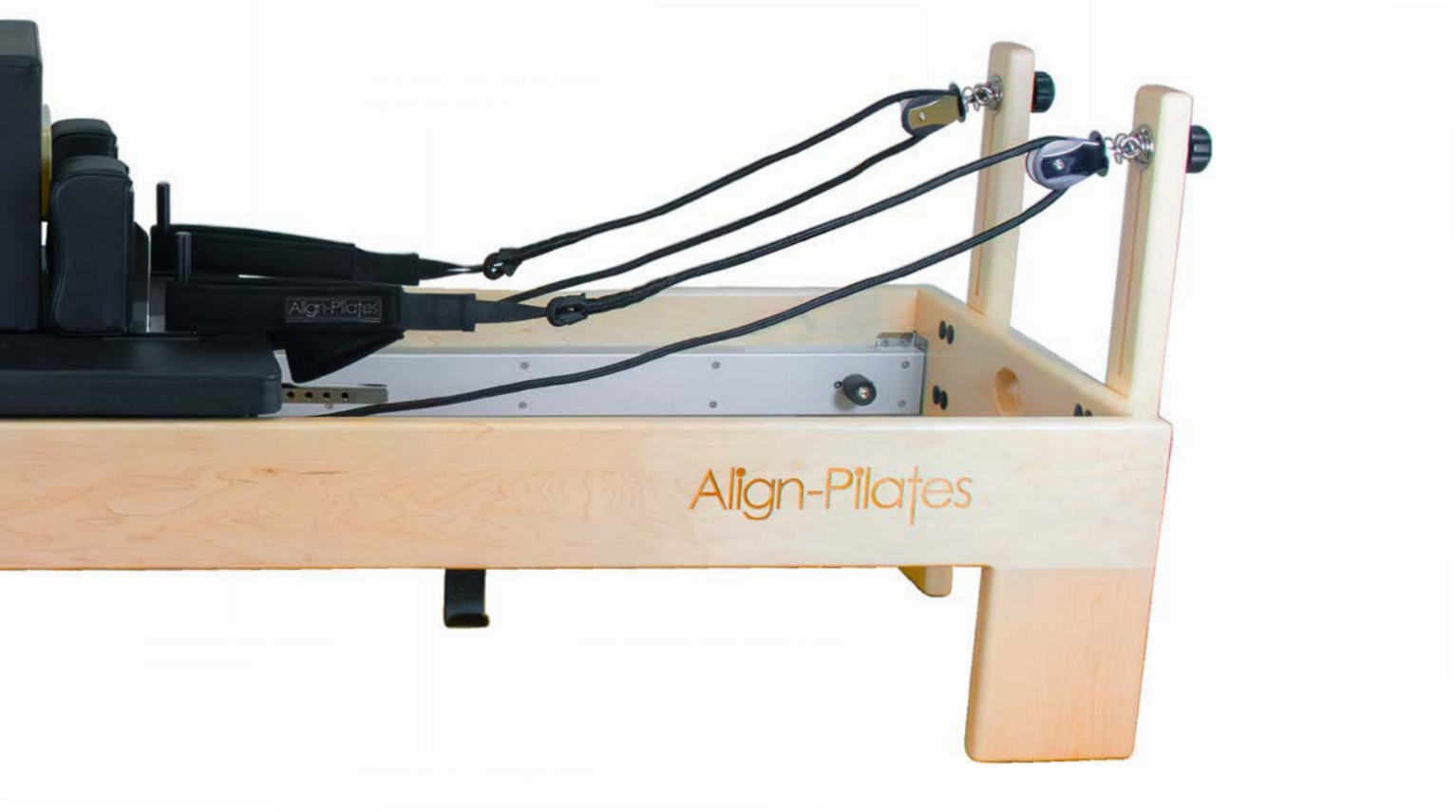
Product Options

Product	Dimensions	Code
M8-Pro Maple Wood Pilates Reformer & Sitting Box Bundle	254cm (L) × 76cm (W) × 43cm (H) (100" (L) × 29.92" (W) × 16.93" (H))	PAPREFORMERM8B
M8-Pro Maple Wood Pilates Reformer With Half Cadillac	254cm (L) × 76cm (W) × ~189cm (H) (100" (L) × 29.92" (W) × ~74.41" (H))	PAPM8HALFCAD

Improved 3 position head rest

Full Silent system, including patented Silent pulleys

Fully adjustable pulley heights on fixed Rope Risers



R8-Pro Black



The R8-Pro Black is our entry level light commercial Reformer, in original black finish.

The R8 stands for Retro (8 wheel) as the Reformer has been designed to replicate many features of Joseph Pilates's original "classic Reformers". This includes the carriage and Footbar distances, carriage dimensions, spring bar positions, Footbar height, and Reformer height. Despite these classic features, the R8-Pro is a contemporary Reformer which has been designed with many rapid adjustment systems.

The R8-Pro comes with 4 springs, but uniquely has the space to add a 5th spring should you wish. It also includes our Rapid Change spring bar and Pro Rope adjusters.

The R8-Pro is our first "light commercial" Reformer, meaning it's ideal for both home studios or those commercial set ups with light usage.

R8-Pro White



The R8-Pro White offers a stylish alternative with all of the same benefits for a multi-purpose studio.

This is a compact Reformer which does not sacrifice on quality or performance. You can free-stand the R8-Pro with an optional Jump Board, and it offers great portability with wheels and light weight.

Overall, the R8-Pro is the best value light commercial Reformer on the market. Its appreciation of classic Pilates Reformer geometry — combined with ease of use, longer travel, and a wider range of adjustments to suit different body shapes and sizes — makes this a great all round Reformer and a modern take on a classic theme.





R8-Pro

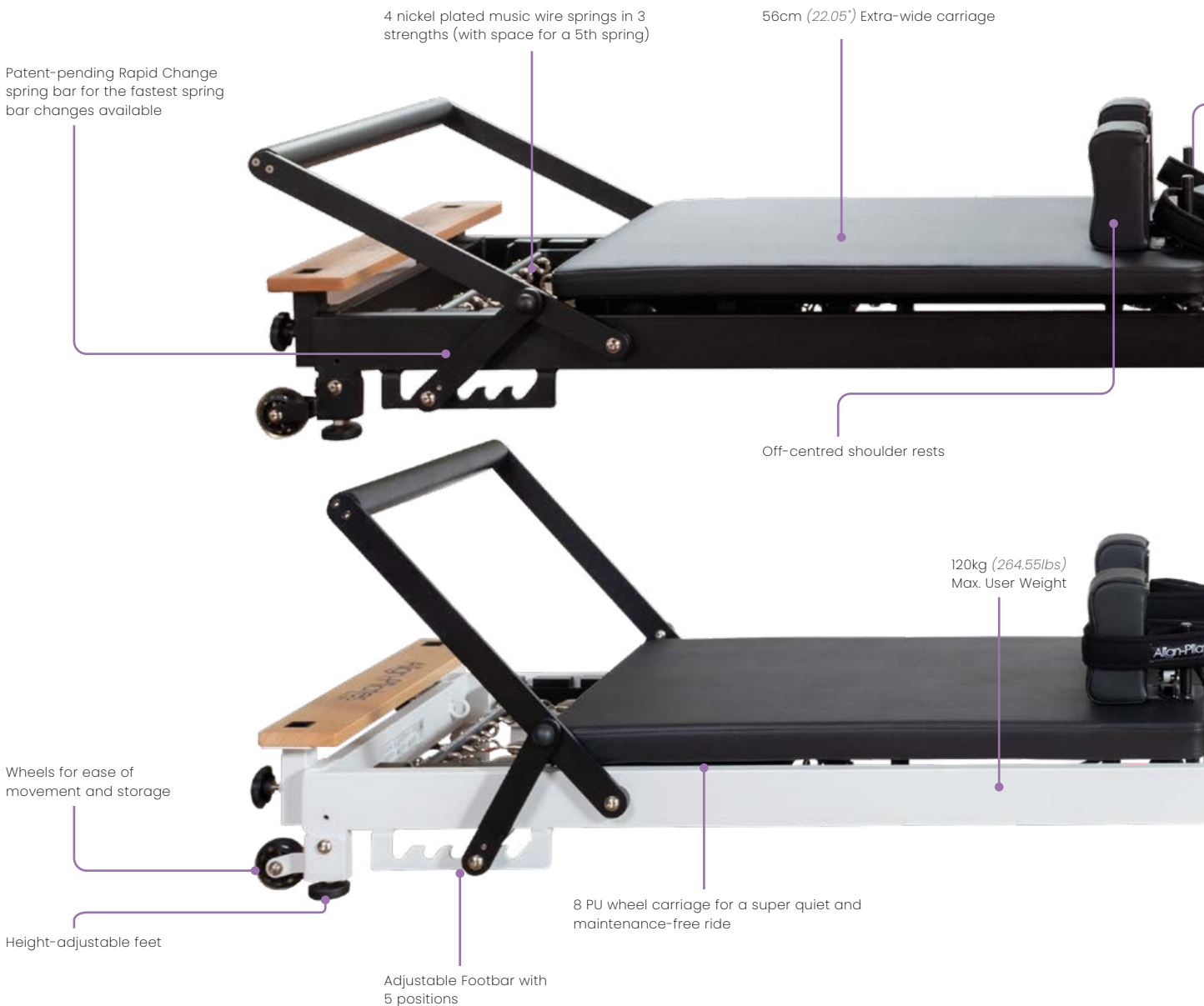


What's Included?

- Integral standing platform
- Pair of Silent Double Loop Straps
- 4 nickel plated quality music wire springs in 3 different strengths: 1 × light, 1 × medium, and 2 × strong (with space for a 5th spring)

Optional Extras

- Platform Extender
- Jump Board
- Sitting Boxes
- Neck Pillow
- Foot Strap



More Information

Feature breakdown, interactive comparison, manuals, videos, reviews, and more at align-pilates.com



R8-Pro



R8-Pro White

Product Options

Product	Dimensions	Code
R8-Pro Pilates Reformer — Black	248cm (L) × 67cm (W) × 23cm (H) (97.64" (L) × 26.38" (W) × 9.06" (H))	PAPREFORMERR8
R8-Pro Pilates Reformer — White	248cm (L) × 67cm (W) × 23cm (H) (97.64" (L) × 26.38" (W) × 9.06" (H))	PAPREFORMERR8W



F3 Folding



The F3 Folding Pilates Reformer takes the world's most popular folding Reformer, the F2, to new heights with a revised carriage and the introduction of aluminium runners for an even smoother ride.

The F3's innovative carriage never crosses the folding joint so you cannot even tell you are using a folding Reformer, whilst the new aluminium runners offer reduced weight, an extremely smooth ride and a 2cm (0.79") increase in travel to 97cm (38.19").

The F-Series was developed to bring the benefits of a Pilates Reformer workout into your home, without the need to have a dedicated space. The F3 features the same high quality springs found in our commercial Reformers – though there are four springs instead of the standard five. The spring choice being 1 × Light, 1 × Medium, and 2 × Strong ensures the F3 offers ample versatility and progressive resistance.

The most unique feature of the F3 Folding Pilates Reformer is that it folds up in a matter of minutes into a compact and self-contained machine. The F3 design enables easy mobility and storage, making it an ideal choice for those seeking a home Reformer without sacrificing the features found on Reformers found in a studio setting. The wheels at the base of the Reformer also means you can effortlessly wheel it around and store it securely out of the way, maximising the use of space in your home.





F3 Folding

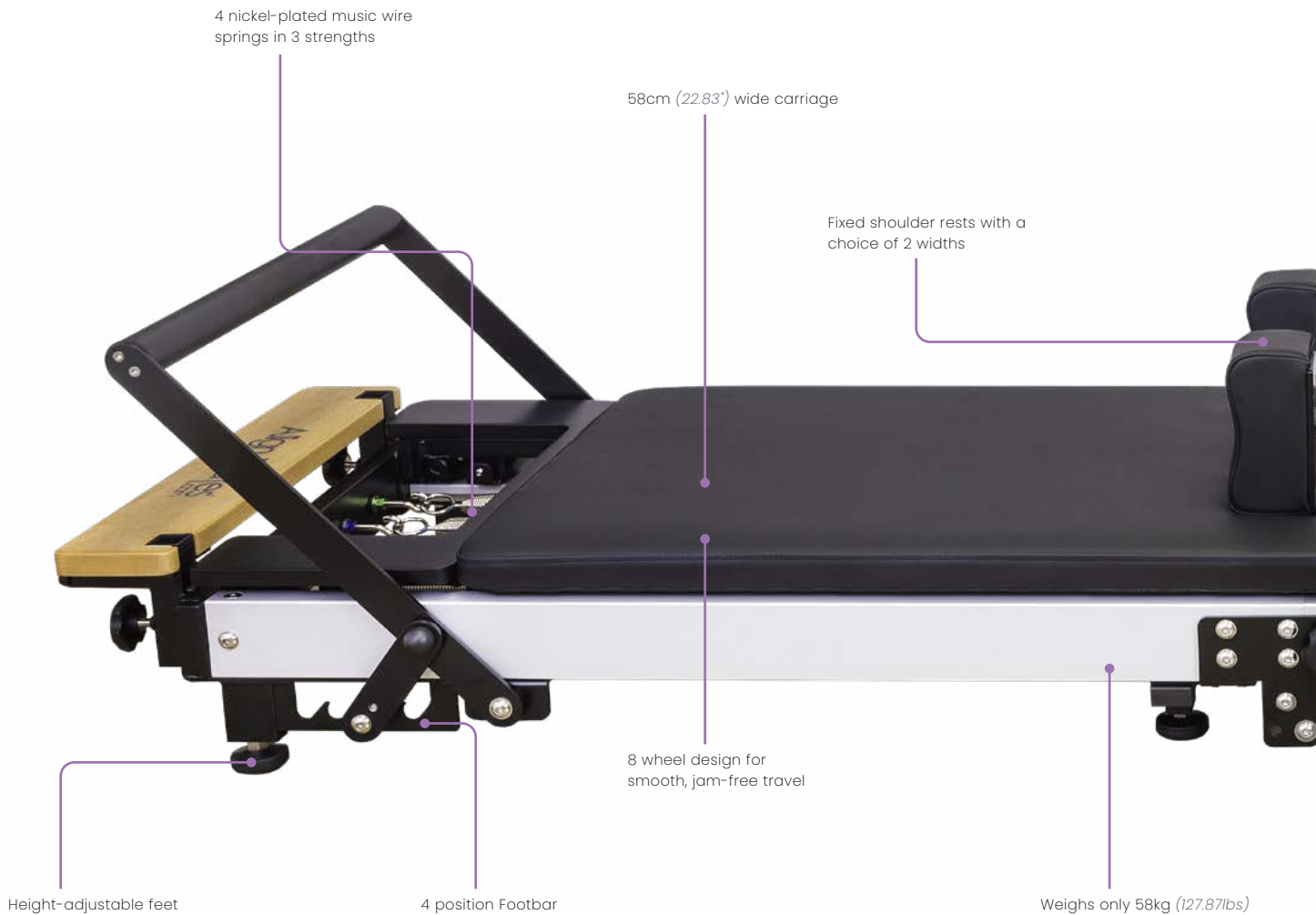


What's Included?

- Integral standing platform
- Pair of Silent Double Loop Straps
- 4 nickel plated quality music wire springs in 3 different strengths: 1 × light, 1 × medium, and 2 × strong

Optional Extras

- Planking Handles
- Silent Foot Strap with Fluffy
- Jump Board
- Sitting Boxes
- Neck Pillow



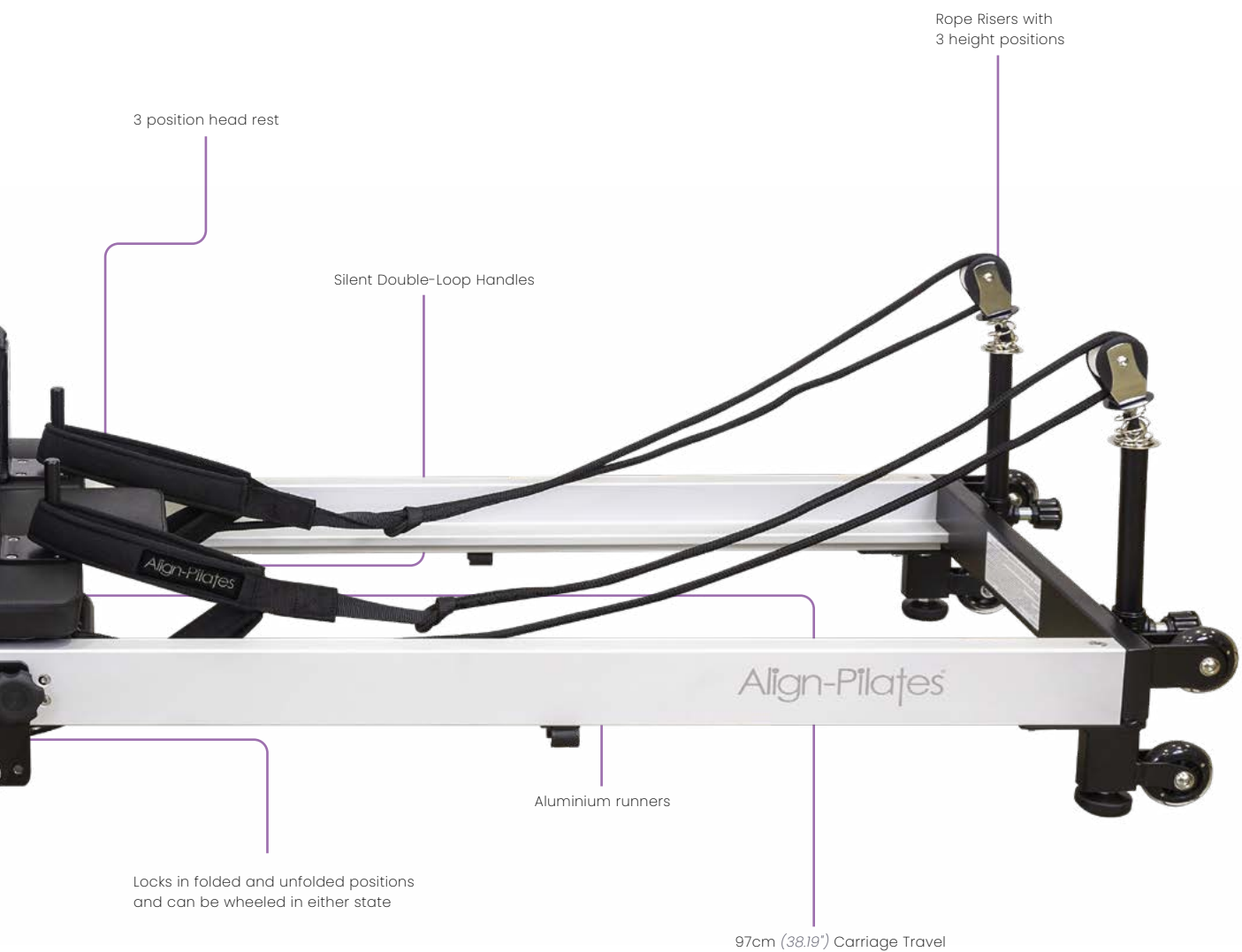
More Information

Feature breakdown, interactive comparison, manuals, videos, reviews, and more at align-pilates.com



Product Options

Product	Dimensions	Code
F3 Folding Pilates Reformer	242cm (L) × 66cm (W) × 23cm (H) (95.28" (L) × 25.98" (W) × 9.06" (H)) Folded: 143.5cm (H) × 66cm (W) × 49cm (D) (56.50" (H) × 25.98" (W) × 19.29" (D))	PAPREFORMERF3
F3 Folding Pilates Reformer With Jump Board	242cm (L) × 66cm (W) × 23cm (H) (95.28" (L) × 25.98" (W) × 9.06" (H))	PAPF3BUNDLE1
F3 Folding Pilates Reformer With Jump Board, Sitting Box & Foot Strap	242cm (L) × 66cm (W) × 23cm (H) (95.28" (L) × 25.98" (W) × 9.06" (H))	PAPF3BUNDLE2



Half Cadillac



Our Half Cadillac provides additional versatility and exercise options, allowing a broader range of repertoire. It can either work by attaching to our A, C, or M-Series Reformers (with the right Bracket) or attach directly to your wall with the Wall Unit Adapter. Our Half Cadillacs can be bought with a Reformer, or can be added at a later date, and work with all leg height options.

Our Half Cadillac comes with a Swing Through Bar, Roll Down Bar, and sliding eyelets, which allow multiple planes of resistance for a variety of exercises.



More Information

Feature breakdown, interactive comparison, manuals, videos, reviews, and more at align-pilates.com



Product Options

Product	Dimensions	Code
Half Pilates Cadillac (Frame Only)	189cm (74.41") from floor	PAPHALFCADA2
Half Pilates Cadillac (Fitted For C8-Pro)	189cm (74.41") from floor	PAPHALFCADC8
Half Pilates Cadillac With Wall Bracket	202.5cm (H) × 80.5cm (W) × 56cm (D) (79.72" (H) × 31.69" (W) × 22.05" (D))	PAPHALFCADA2WALLSET
Bracket For M-Series Reformers	11.5cm (L) × 21.5cm (H) (4.53" (L) × 8.46" (H))	PAPM2PHALFCADBKT
Bracket For C*-Series Reformers	11.5cm (L) × 21.5cm (H) (4.53" (L) × 8.46" (H))	PAPCIPROHCADBKT
Bracket For C8-S Pro Reformer	22cm (L) × 30.5cm (W) × 35cm (H) (8.66" (L) × 12.01" (W) × 13.78" (H))	PAPC8SHCADBKT
Bracket For A-Series Reformers	11.5cm (L) × 21.5cm (H) (4.53" (L) × 8.46" (H))	PAPA2HALFCADBKT
Half Pilates Cadillac Wall Bracket	56cm (D) (22.05" (D))	PAPHALFADAPTA2

Also available as part of bundles with the A8-Pro and C8-Pro – see Reformer pages for details.

Bracket for C-Series Reformers is not compatible with C1 & C8-S Pro.



What's Included?

- Stainless steel frame
- Maple Roll-Down Bar
- Aluminium Push-Through Bar with rapid-adjust height changers
- Quick-release safety strap
- 1 pair of Foot Straps
- 1 pair of handles
- 2 pairs of rapid-adjust, double-eyelet spring holders
- 2 × 47cm (18.50") Very Light Springs
- 2 × 47cm (18.50") Medium Springs
- 2 × 64cm (25.20") Light Springs
- 2 × 64cm (25.20") Strong Springs

Full Cadillac



The Full Cadillac is a single frame that can be added (with brackets) to a compatible Reformer, maximising the benefits of a Reformer while incorporating Cadillac functionalities.

Our Full Cadillac Frame gives the ease of adjustment and multiple anchor points to facilitate numerous exercises. The full stainless steel upper frame is superior to standard chromed steel frames, ensuring a long and corrosion free life. The Full Cadillac is supplied complete with all the required accessories so there are no expensive add-on purchases required.



More Information

Feature breakdown, interactive comparison, manuals, videos, reviews, and more at align-pilates.com



Product Options

Product	Dimensions	Code
Full Pilates Cadillac (Frame Only)	216cm (L) × 76cm (W) × 216cm (H) (85.04" (L) × 29.92" (W) × 85.04" (H))	PAPCIPROFCAD
Full Pilates Cadillac Bracket For C*-Series Reformers	11.5cm (L) × 21.5cm (H) (4.53" (L) × 8.46" (H))	PAPCIPROFCADBKT
Half Pilates Cadillac Bracket For C*-Series Reformers (required in combination with Full Cadillac Bracket)	11.5cm (L) × 21.5cm (H) (4.53" (L) × 8.46" (H))	PAPCIPROHCADBKT

Also available as part of a bundle with the C8-Pro – see Reformer pages for details.

Bracket for C-Series Reformers is not compatible with C1 & C8-S Pro.



What's Included?

- Full Cadillac Frame
- 1 trapeze with fluffy foot support
- 1 pair of Fuzzy handles
- 1 pair of Foot Straps
- 1 pair of Hand Handles
- 2 pairs of rapid adjust double eyelet spring holders
- 14 aluminium Carabiners
- 10 double ended dog clips
- 1 Belly Strap
- 2 Adjustable Fluffies
- 2 × 47cm (18.50") Very Light Springs
- 2 × 47cm (18.50") Light Springs
- 2 × 47cm (18.50") Medium Springs
- 2 × 47cm (18.50") Very Strong Springs
- 2 × 64cm (25.20") Light Springs
- 2 × 64cm (25.20") Strong Springs

Fuse Ladder II



Meet the Fuse Ladder II, a dynamic new piece of apparatus designed by Fuse Pilates: Washington, D.C.'s most popular Pilates studio. After extensive development in their studio, Fuse Pilates worked with Align-Pilates to create the latest version – complete with quick adjust springs, a padded backboard, and moveable eyelets.

The Fuse Ladder II appeals to students and teachers who want a functional fitness workout that's tough, unique, and ever-changing. It is also less expensive than most Reformers or weight machines and takes up much less space, which can then be used for mat-based classes, doubling your Studio's offering.

Low ceilings won't hold you back from accessing the Fuse Ladder's total fitness and rehab potential – you can shorten our new model by up to 22.86cm (9") to bring multi-planar movement magic into even the smallest spaces.



More Information

Feature breakdown, interactive comparison, manuals, videos, reviews, and more at align-pilates.com



Product Options

Product	Dimensions	Code
Fuse Ladder II	237cm (H) × 80cm (W) × 49cm (D) (93.31" (H) × 31.50" (W) × 19.29" (D))	FUSELADDER2
Swing Through Bar	11.5cm (L) × 67cm (W) × 85cm (H) (4.53" (L) × 26.38" (W) × 33.46" (H))	FUSESINGTHRU



What's Included?

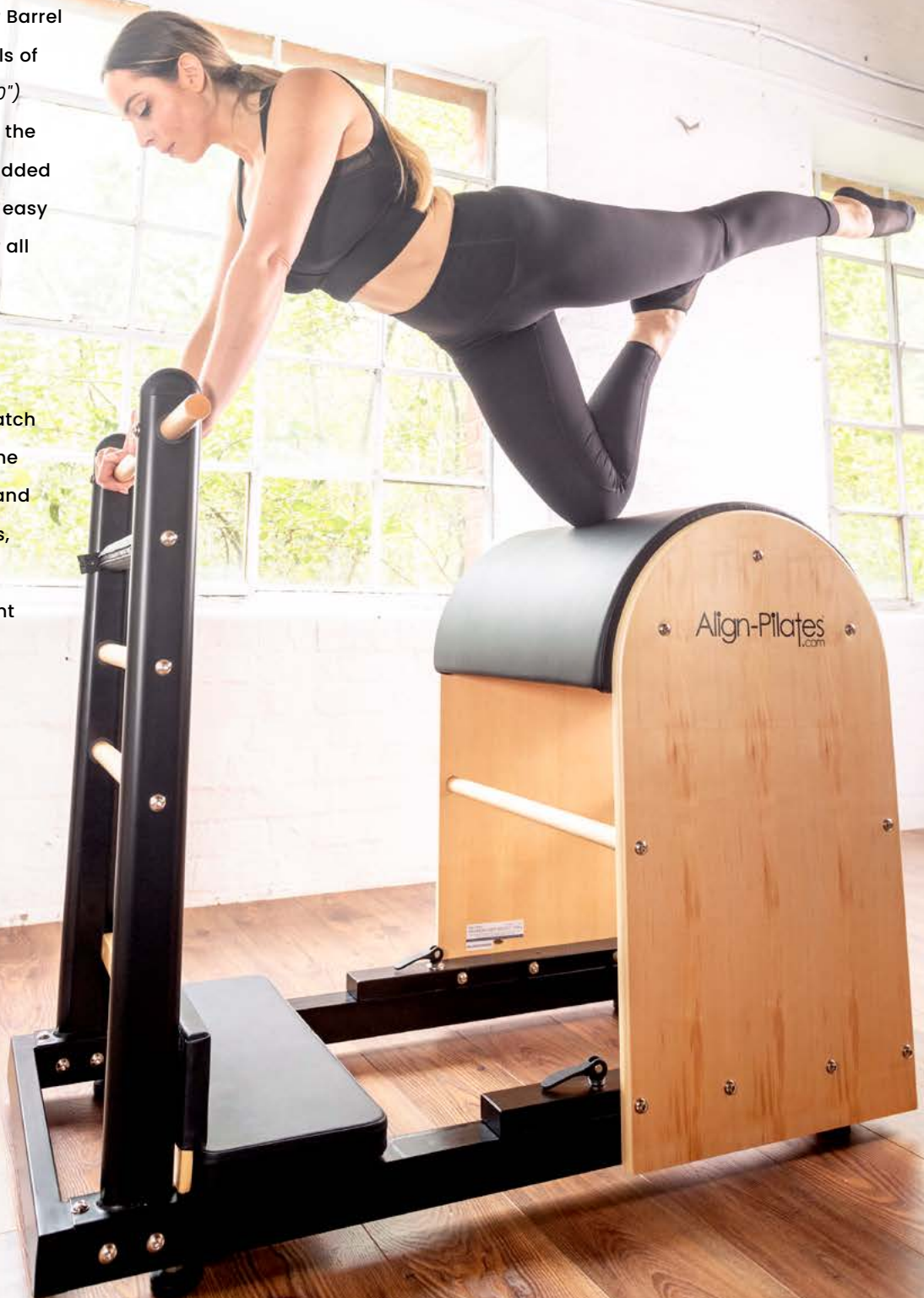
- 1 × Roll Down Bar
- 1 × Padded Back Board which hooks onto the ladder
- 2 × pair of Sliding Spring Eyelets
- 5 × Fixed Eyelets
- 1 × pair of Hand/Foot Straps with double D-rings and metal clips
- 1 × moveable padded rung wrap
- 1 × pair of Handles
- 2 × 47cm (18.50") Extra Light Springs
- 2 × 64cm (25.20") Light Springs
- 2 × 64cm (25.20") Medium Springs

Ladder Barrel RC



The Ladder Barrel RC is designed to offer fast adjustment of the barrel to make it quicker and easier to set the barrel up correctly for different sized users or exercises. To adjust the barrel, simply open the two quick-release cam levers, slide the barrel in or out, and close the levers. Like its predecessor, the RC Ladder Barrel offers industry leading levels of adjustment with 31cm (12.20") of adjustability. In addition, the apparatus comes with 2 padded standing boards, making it easy to get the perfect set up for all user heights.

The RC Ladder Barrel arc and dimensions have been revised and now closely match classical proportions and the 4 rungs provide different hand and foot placement options, allowing you to perform various exercises at different heights and angles.



More Information

Feature breakdown, interactive comparison, manuals, videos, reviews, and more at align-pilates.com

Ladder Barrel RC



Product Options

Product	Dimensions	Code
Ladder Barrel RC – Built	125cm (L) × 90cm (W) × 105m (H) (49.21" (L) × 35.43" (W) × 41.34" (H))	PAPLADDERRCBUILD
Ladder Barrel RC – Flat Packed	125cm (L) × 90cm (W) × 105m (H) (49.21" (L) × 35.43" (W) × 41.34" (H))	PAPLADDERRC



What's Included?

- Two padded standing boards

Combo Chair III



The Combo Chair III is the latest iteration of Align-Pilates' popular Wunda Chair. The Combo Chair III features a number of enhancements over its predecessor to refine the smoothness and quietness of use, taking this chair to new levels. The new features include an updated pedal locking mechanism, a revised pedal axle with roller bearings, rubber-coated Silent spring hooks, and a chromed Spring Tree for improved durability.

Our unique features include an easily adjustable split pedal system, allowing for independent movement of each leg or foot. Our design also has an easy accessible Spring Tree, meaning this Combo Chair can be stored and adjusted whilst against the wall.



More Information

Feature breakdown, interactive comparison, manuals, videos, reviews, and more at align-pilates.com



Product Options

Product	Dimensions	Code
Combo Chair III – Built	64cm (H) × 55cm (W) × 82.5cm (D) (25.20" (H) × 21.65" (W) × 32.48" (D))	PAPCHAIR3BUILD
Combo Chair III – Flat Packed	64cm (H) × 55cm (W) × 82.5cm (D) (25.20" (H) × 21.65" (W) × 32.48" (D))	PAPCHAIR3



What's Included?

- Removable/adjustable handles with anti-slip grips
- Fastener for optional extra Jump Board
- Eyelets for optional extra Resistance Bands
- 2 × Strong Springs
- 2 × Extra Strong Springs

Reformer Accessories



Pro Sitting Box

The Align-Pilates Pro Sitting Box not only makes new exercises possible on your Pilates Reformer, but also makes seated/prone exercises more comfortable. It is suitable for use on all Pilates Reformer brands and also offers top quality finishing and the best value available in Europe.

Product	Code
Pro Sitting Box	PAPBOX



Curved Pro Sitting Box

The Align-Pilates' Curved Pro Sitting Box features Rounded sides for Long Box exercises that aid comfort in supine position. Slightly smaller in size than our Pro Sitting Box, this gives another option that can be used on all brands of Pilates Reformers.

Product	Code
Curved Pro Sitting Box	PAPBOXCURVE



Frame Sitting Box

The Align-Pilates Frame Sitting Box is a little smaller than our Pro & Curved Sitting Boxes, making it ideal for smaller Reformer carriages, for example the earlier C-Series, F-Series, and H-Series Reformers. The Frame Sitting Box not only makes new exercises possible on your Pilates Reformer, but it makes seated and prone exercises more comfortable.

Product	Code
Frame Sitting Box – Flat Packed	PAPBOXM
Frame Sitting Box – Built	PAPBOXMBUILT



Head Support Box

Introducing the Head Support Box, an essential accessory designed to provide head support during various exercises using the Pro and Curved Sitting Box on the Pilates Reformer. Beyond providing support, it plays a key role in maintaining correct head alignment as it enhances posture and reduces strain, particularly for users engaging in exercises while lying on their back on the sitting box.

Product	Code
Head Support Box for Sitting Box	PAPBOXHEAD

More Information

See the full range of accessories, replacements, and spares at align-pilates.com



Large Upholstered Postural Wedge

The Postural Wedge allows the user to adopt an inclined form whilst lying on the Reformer carriage which can help hip pain, neck pain, spinal alignment, or other physiotherapeutic issues. Also known as a Pilates Pregnancy Wedge, one of the most common uses of the seat wedge is to allow pregnant women to avoid lying flat on their back while exercising to provide comfort.

Product	Code
Large Upholstered Postural Wedge	PAPWEDGE



Neck Pillow

The Neck Pillow fits neatly on to any Reformer head rest to create a soft, cushioned support for the head and neck.

Product	Code
Pilates Reformer Neck Pillow	PAPNECKPAD



Modular Step Barrel & Arc

The Modular Step Barrel & Arc (also known as the 'Spine Corrector') adds extensively to the core functionality of the traditional Step Barrel, which has long been known to help improve posture by lengthening and strengthening the back, feet, and shoulder muscles. Slots conveniently over the shoulder rests of all Align-Pilates Reformers so that it can be used on the Reformer as well as the floor. The Arc is also removable, as well as locking in place, so this can be used independently.

Product	Code
Modular Step Barrel & Arc	PAPSTEP3



Stacking Arc Barrel

Arc Barrels are great for adding an extra dimension to matwork classes, offering various workout possibilities that help to improve posture, lengthen, and strengthen the back, feet, and shoulder muscles.

Product	Code
Stacking Arc Barrel	PAPARCST

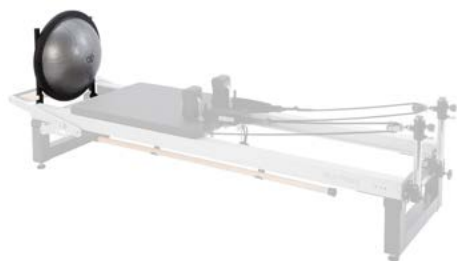
Reformer Accessories



Jump Boards

The Align-Pilates Jump Boards provide you with a firm and stable platform for plyometric exercises and is one of the most popular accessories for the Pilates Reformer.

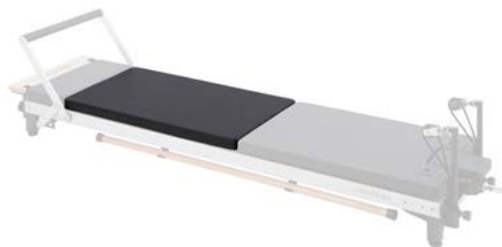
Product	Code
Jump Board For A-Series & MI Reformers	PAPJUMPA2
Jump Board For C, F, R & H-Series Reformers	PAPJUMPC1
Jump Board For M*-Series Reformers	PAPJUMPM2P



A-Series Cardio Jump Dome

The Cardio Jump Dome provides a cushioned landing surface when performing Jump Board exercises on the A-Series Reformers.

Product	Code
A-Series Cardio Jump Dome	PAPJUMPDOME



Mattress Converters

Extend your Align-Pilates Reformer with the addition of the mattress converter which, with the Platform Extender, converts your Reformer into a completely flat bed.

Product	Code
Mattress Converter For A-Series Reformers	PAPMATA2
Mattress Converter For C-Series Reformers	PAPMATCIMC
Mattress Converter For M*-Series Reformers	PAPMATM2P



Platform Extenders

Add a Platform Extender for an extra bit of padding for the feet when performing standing or kneeling exercises.

Product	Code
Platform Extender For A-Series Reformers	PAPMATPLATA2R
Platform Extender For C-Series Reformers	PAPMATCIPE
Platform Extender For M*-Series Reformers	PAPMATPLATM2P
Platform Extender For R8-Pro Reformer	PAPMATPLATR8

The Jump Board, Mattress Converter, and Platform Extender for M-Series Reformers are not compatible with the MI Reformer.

More Information

See the full range of accessories, replacements, and spares at align-pilates.com



Gondola & Roll Up Poles

Gondola Poles are used for aiding balance when performing standing work on the Reformer, and Roll Up Poles are used to aid alignment.

Product	Code
Gondola Maple Pilates Pole – 152.4cm (60")	PAPPOLE60
Weighted Metal Pilates Pole – 152.4cm (60")	PAPPOLE60M
Roll Up Maple Pilates Pole – 81.28cm (32")	PAPPOLE32
Roll Up Metal Pilates Pole – 81.28cm (32")	PAPPOLE32M



Plank Handles

Great for plank-based exercises and are rotatable so they can face in 4 different directions and at 4 different heights.

Product	Code
Plank Handles	PAPPLANKH



Freestanding Legs

Adapt your C8-Pro or C2-Pro RC Pilates Reformer to freestanding, in order to save space. Not required with Leg Extensions.

Product	Code
Freestanding Legs for C8-Pro & C2-Pro RC Reformers	PAPCFREELEGS



Cadillac Brackets

Product	Code
Half Pilates Cadillac Bracket (M-Series)	PAPM2PHALFCADBKT
Half Cadillac Bracket (C8-S Pro)	PAPC8SHCADBKT
Half Pilates Cadillac Bracket (C*-Series)	PAPC1PROHCADBKT
Full Pilates Cadillac Bracket (C*-Series)	PAPC1PROFCADBKT
Half Pilates Cadillac Bracket (A-Series)	PAPA2HALFCADBKT
Half Pilates Cadillac Wall Bracket	PAPHALFADAPTA2

Brackets for C-Series Reformers are not compatible with The C1 & C8-S Pro.

Reformer Accessories



Footbar Cover

The Footbar Cover is designed to fit on both of our Footbar sizes and offers a padded surface for a more pleasant and supportive experience.

Product	Code
Pilates Reformer Footbar Cover	PAPFOOTBARCOVER



Anti-Slip Pads

Anti-slip pads are useful to hold a mat on a ladder barrel/arc if extra padding is required. Available in black or red (PVC), or Blue/Grey, Purple/Grey, or Aubergine/Grey (double-sided TPE).

Product	Code
Reformer Anti-Slip Pads	PAPANTISLIP
TPE Reformer Anti-Slip Pads	PAPANTISLIPTPE



Carriage Protectors

Product	Code
Carriage Protector (A-Series)	PAPA2TOPPER
Carriage Protector (C-Series)	PAPC2TOPPER
Carriage Protector – Headrest (A-Series)	PAPATOPPERHR
Carriage Protector – Headrest (C-Series)	PAPCTOPPERHR
Carriage Protector – Headrest (M-Series)	PAPMTOPPERHR
Carriage Protector – Headrest (R-Series)	PAPRTOPPERHR



Reformer Floor Protection Mats

Designed for use under Align-Pilates Reformers. PVC Reformer mats protect floors, dampen sound, and reduce dirt getting into the Reformer.

Product	Code
Reformer Floor Protection Mat	PAPFLOORMAT
Reformer Machine Mat (Printed Logo)	PAPMACHINEI00250BLK

More Information

See the full range of accessories, replacements, and spares at align-pilates.com



Springs For Reformers, Cadillacs & Combo Chair

Our springs are made from top quality nickel-plated Korean music wire. The 47cm Springs are standardised on all Align-Pilates equipment, except for the Combo Chair which uses alternate springs.

The 4 strengths – Extra Light, Light, Medium, and Strong – plus Extra Strong Combo Chair Spring, allows easy adjustments to the resistance of exercises on Align-Pilates apparatus.

Product	Code
47cm (18.50") – Very Light	PAPSPRINGSVLIGHT
47cm (18.50") – Light	PAPSPRINGSLIGHT
47cm (18.50") – Medium	PAPSPRINGSMED
47cm (18.50") – Strong	PAPSPRINGSTRONG
64cm (25.20") – Cadillac – Very Light, Light, Strong	PAPSPRINGL
47cm (18.50") – Combo Chair – Strong	PAPSPRINGCHS
47cm (18.50") – Combo Chair – Extra Strong	PAPSPRINGCHXS



Washable Loop Straps

Made from soft, comfortable neoprene material so they can be wiped down much more effectively whilst also being machine washable.

Product	Code
Washable Double Loop Pilates Reformer Straps	PAPSTRAPPSL



Combo Hand-Foot Strap (Silent)

The quadruple-stitched "Silent" design means an improved user experience. Suitable for use on Reformers, Half Cadillac, and Full Cadillac.

Product	Code
Combo Hand-Foot Strap (Silent)	PAPSTRAPDLS

Reformer Accessories



Combo Hand-Foot Strap (Double Ring)

Add variety to your workout with this Combo Strap. Suitable for use on the Reformer, Half Cadillac, and Full Cadillac. Sold in pairs.

Product	Code
Combo Hand-Foot Strap (Double Ring)	PAPSTRAP



Silent Foot Strap

The Silent Reformer Foot Strap is perfect for adding variety to your Reformer workout. Especially comfortable for exercises using the Align-Pilates Pro Sitting Box, Curved Pro Sitting Box, and Frame Box.

Product	Code
Silent Pilates Reformer Foot Strap	PAPFOOTSTRAP



Extension Straps For Pilates Cadillacs

Align-Pilates' Pair of Extension Straps are great for adding additional length to springs on your Pilates Cadillac.

Product	Code
Pair Of Extension Straps For Pilates Cadillacs	PAPEXTENSION



Ankle Straps (Pair)

Align-Pilates Ankle Straps are great for adding variety to leg work on your Pilates Cadillac.

Product	Code
Pilates Cadillac Ankle Straps (Pair)	PAPANKLE

More Information

See the full range of accessories, replacements, and spares at align-pilates.com



Padded Handles (Pair)

These high-quality durable Pair of Handles is for use with the Half or Full Pilates Cadillac.

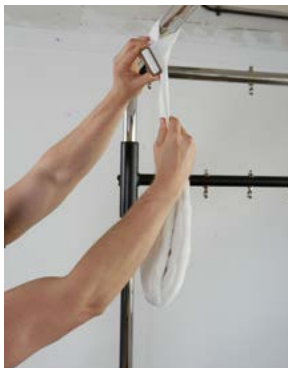
Product	Code
Pair Of Handles For Half & Full Pilates Cadillac	PAPHANDLE



Cadillac Safety Strap

The safety strap is designed to be used with the Half Cadillac and Full Cadillac to hold the swing through bar when being sprung from the underside and prevent it from falling further than its chosen position.

Product	Code
Safety Strap For Full & Half Cadillacs	PAPSAFETYSTRAP



Cadillac Fluffy (Adjustable Height)

Fluffy for use with our Full Cadillac.

Product	Code
Fluffy for Full Cadillac	PAPCADFLUFFY



Cadillac Belly Strap

This carefully designed accessory wraps around the bed of our Full Pilates Cadillac, allowing you to anchor yourself for certain exercises. Extend both the functionality of your Cadillac and the range of your Pilates practice with this Belly Strap.

Product	Code
Cadillac Belly Strap	PAPBELLYSTRAP

Matwork Accessories



Pilates Rings

Pilates rings (also known as a magic circles) are used in Pilates to add intensity to floor exercises.

Product	Code
Double Handle Pilates Ring – 30cm (12")	PAPRING12L
Double Handle Pilates Ring – 35.5cm (14")	PAPRING14L
Pro Pilates Ring – 30 cm (12")	PAPRING12
Pro Pilates Ring – 35.5cm (14")	PAPRING14



Rotational Disks (Pair)

Rotational Disks are used to develop balance and strength through rotation whilst standing or sitting.

Product	Code
Pilates Rotational Disks 30cm (12") – Pair	PAPROTATION



Pro Soft Pilates Weights

The Pro Soft Weights are ideal for Pilates, plyometrics, balance training, and mobilisation exercises. In addition to offering a more fluid range of motion, the soft weight design is safer due to their soft-shell design, reducing the risk of damage or injury if dropped.

Product	Code
Pro Soft Pilates Weights Pair – 0.5kg (1.10lbs)	PAPSOFT1
Pro Soft Pilates Weights Pair – 1kg (2.2lbs)	PAPSOFT2
Pro Soft Pilates Weights Pair – 1.5kg (3.3lbs)	PAPSOFT3



Exer-Soft Balls

Product	Code
17.8cm (7") Exer-Soft Pilates Ball – Purple	PAPEXBALL7
17.8cm (7") Exer-Soft Pilates Ball – Black	PAPEXBALL7BLK
22.9cm (9") Exer-Soft Pilates Ball – Blue	PAPEXBALL9
22.9cm (9") Exer-Soft Pilates Ball – Black	PAPEXBALL9BLK
30cm (12") Exer-Soft Pilates Ball – Graphite	PAPEXBALL12

More Information

See the full range of accessories, replacements, and spares at align-pilates.com



Pilates Blocks

Pilates Blocks can be used for numerous exercises with multiple depth options in order to modify exercises difficulty.

Product	Code
2.5cm x 15cm x 22.9cm (1" x 6" x 9") Pilates Block	PAPBLOCK169
7.6cm x 15cm x 22.9cm (3" x 6" x 9") Pilates Block	PAPBLOCK369
5.1cm x 25.4cm x 33cm (2" x 10" x 13") Pilates Block	PAPBLOCK21013



Pilates Resistance Bands

Resistance bands are a great way to train as they are extremely versatile piece of kit, adding resistance to Pilates exercises.

Product	Code
Pilates Resistance Band – Level 1 (Light)	PAPRESBAND1
Pilates Resistance Band – Level 2 (Medium)	PAPRESBAND2
Pilates Resistance Band – Level 3 (Strong)	PAPRESBAND3



Pilates Studio Mats

Align-Pilates Studio Mats balance size and weight, offering excellent cushioning and memory. Perfect for Pilates matwork classes and any Pilates studio.

Product	Code
Pilates Studio Mat – 10mm (0.39")	PAPMAT10
Pilates Studio Mat – 10mm (0.39") With Eyelets	PAPMAT10EYE



Exercise Mat Rack

Adjustable Mat Rack available for use with eyelet mats like the Align-Pilates Studio Mat with Eyelets.

Product	Code
Exercise Mat Rack for Eyelet Mats	FMATRACK20

Sock Only Studio?

Many Pilates studios are increasingly requiring their clients to wear socks in order to partake in classes. Tavi, ToeSox, and Base 33 Grip Socks not only improve hygiene, comfort, and safety on a Reformer, but also provide studio owners with an opportunity for an extra revenue stream by stocking them – giving clients an option if they come to class unprepared!

TAVI™



Initially created by instructors for instructors, it didn't take long before TAVI grip socks and apparel were seen in studios everywhere.

toeSOX®



When ToeSox created a sock with 5 toes, people asked why. Then they tried them and never went back to regular grip socks again.

BASE
X X X I I I



Base 33 don't follow a rule book; instead, they pay attention to how you train and create socks that support your performance.

Align-Pilates' sister company – The Mad Group – are the exclusive distributors of Tavi, ToeSox, and Base 33 in the UK. If you are interested in supplying your clients with stylish, high-performance grip socks, and other activewear, in an ever-changing range of seasonal colours, then get in touch.



Align-Pilates



align-pilates.com



+44 (0)1386 425 923



sales@align-pilates.com



[align_pilates_hq](https://www.instagram.com/align_pilates_hq)



[AlignPilatesHQ](https://www.youtube.com/AlignPilatesHQ)



[alignpilateshq](https://www.facebook.com/alignpilateshq)



[alignpilateshq](https://www.tiktok.com/@alignpilateshq)



[alignpilates_hq](https://www.x.com/alignpilates_hq)



[align-pilates-equipment](https://www.linkedin.com/company/align-pilates-equipment)

Align-Pilates™ is a registered trademark of Align-Pilates Equipment Ltd. in a number of countries or regions. For details of this and other intellectual property rights, please visit align-pilates.com/resources/patents-intellectual-property/

Align-Pilates Equipment Ltd., 430 Enterprise Way, Vale Park, Evesham, Worcestershire, WR11 1AD
Registered in England No. 09206328. EORI GB164182414000.

In the UK, Align-Pilates products are fulfilled by The Mad Group (HQ) Ltd. on behalf of Align-Pilates Equipment Ltd.